

# Series ILBV

Interlock Ball Valve - Quick Action Couplings

## Technical Data Sheet



Further  
Information

**WATTS®**

## Description

Our Interlock Ball Valve Quick Action Couplings are engineered for rapid, secure connections in liquid cooling systems. The patented design features a dual interlock safety mechanism, these couplings prevent accidental disconnection, ensuring leak-free operation during maintenance and servicing. The symmetrical design allows for flexible installation without orientation constraints, while the live nut design facilitates easy assembly and disassembly.

**Size:** DN25-DN65

**Media:** water, ≤50% ethylene glycol\*

### Features

- Symmetrical design for unrestricted installation
- EPDM rubber seal for broad fluid compatibility
- Low torque required for connection and disconnection
- Dual interlock safety mechanism to prevent misuse
- Full-flow capacity to minimize pressure loss
- Live nut design for ease of maintenance



Figure 1  
Series ILBV Interlock Ball Valve

## Product Codes

Part	Type	DN/Size	Description
61010503	W_ILBV	DN20	W-ILBV-20 Pogoda connectors end
61010504	W_ILBV	DN20	W-ILBV-20 Female G1 end
61010505	W_ILBV	DN32	W-ILBV-32 Pogoda connectors end
61010506	W_ILBV	DN32	W-ILBV-32 Female G1-1/2 end
61010507	W_ILBV	DN40	W-ILBV-40 Pogoda connectors end
61010508	W_ILBV	DN40	W-ILBV-40 Female G2 end

## Materials

Component	Material
Valve Body	CF8
Valve Cover	304
Valve Stem	304
Sealing	EPDM
Valve Ball	304

## Operating Principles

- The valve cannot be opened until both mating halves are securely connected
- The valve cannot be disconnected until both sides are fully closed
- Press the locking pin in the handle to open or close the valve
- Ensure proper alignment of coupling halves before attempting connection
- Always verify both valves are closed before disconnection

## Installation Dimensions

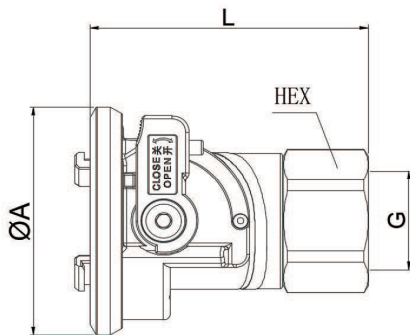


Figure 2: Series ILBV Interlock Ball Valve - Dimensions

### ILBV

DN	L	ØA	Hex	G
25	81.6	69.9	40	1"
40	100	85	60	1½"
50	108	103	70	2"
65	128	115	83	2½"

## Technical Data

- Nominal pressure PN 16
- Temperature range -20°C to +120°C
- Connection standard: female thread according to ISO 228-1
- Test standard: GB/T 13927 EN12266-1
- Suitable media: Water, ≤50% ethylene glycol\*

\*Note: For usage with other media including oil or gas, please contact us.

The descriptions and photographs contained in this product specification sheet are supplied by way of information only and are not binding.

Watts Industries reserves the right to carry out any technical and design improvements to its products without prior notice. Warranty: All sales and contracts for sale are expressly conditioned on the buyer's assent to Watts terms and conditions found on its website at [www.wattswater.eu](http://www.wattswater.eu). Watts hereby objects to any term, different from or additional to Watts terms, contained in any buyer communication in any form, unless agreed to in a writing signed by an officer of Watts.



**For Orders & Enquiries**  
Contact our Solutions & Mega Projects Team  
at [megateam@wattswater.com](mailto:megateam@wattswater.com)  
or scan QR for further product details.



**Watts Benelux**

Beernemsteenweg 77A • 8750 Wingene • België  
Bezoekadres NL: Kollergang 14 • 6961 LZ Eerbeek • Nederland  
Tel. BE +32 51 65 87 08 • Tel. NL +31 313 673 700  
[benelux@wattswater.com](mailto:benelux@wattswater.com) • [www.watts.com](http://www.watts.com)